

# PATENT ABSTRACTS OF JAPAN

(11)Publication number : 64-058195  
 (43)Date of publication of application : 06.03.1989

(51)Int.Cl. H04N 11/04  
 H04N 7/13  
 // H04N 7/22

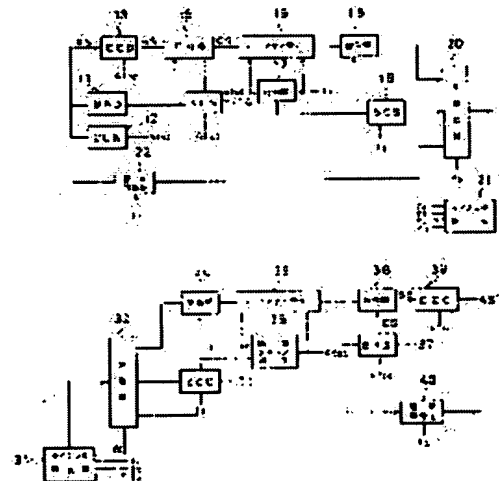
(21)Application number : 62-214322 (71)Applicant : TOSHIBA CORP  
 (22)Date of filing : 28.08.1987 (72)Inventor : ONISHI MASAHIKO  
 TORII KENICHI

## (54) VIDEO TRANSMISSION SYSTEM

### (57)Abstract:

**PURPOSE:** To transmit a video signal by coding a video signal according to a clock frequency synchronized with a chrominance carrier frequency optimum to the coding and sending the signal on the transmission line according to the transmission speed of the communication line so as to use a general-purpose communication line without deteriorating the video signal quality.

**CONSTITUTION:** A video signal coding section 13 codes the video signal AS synchronously with the video clock and leads the coded video signal BS obtained in this way to a compression section 15. The compression section 15 eliminates the blanking period from the coded video signal BS in response to the detection signal of the detection section 11 for a blanking period, inserts the coded information to obtain the compressed coded video signal CS. A buffer memory 16 writes the compressed coded video signal CS synchronously with the video clock and reads it synchronously with the clock f1 synchronized with the transmission speed of the communication line. A multiplex section 20 multiplexes the coded video signal, the inserted control signal and the coded video/audio signal and sends the result to the communication line.



## LEGAL STATUS

- [Date of request for examination]
- [Date of sending the examiner's decision of rejection]
- [Kind of final disposal of application other than the examiner's decision of rejection or application converted registration]
- [Date of final disposal for application]
- [Patent number]
- [Date of registration]
- [Number of appeal against examiner's decision of

rejection]

[Date of requesting appeal against examiner's  
decision of rejection]

[Date of extinction of right]

Copyright (C); 1998,2003 Japan Patent Office